



Metrologic®
We really work for you.™

MS3580 Quantum7™

Quantum7™ provides retailers with industry-leading omnidirectional scan performance and optional single-line scanning in a convenient size. The small footprint and numerous stand options for Quantum7 minimize required counter space, increasing available room for merchandise and advertisement displays.

Ideal for presentation scanning in moderate-volume retail environments such as convenience stores, liquor stores and pharmacies, end users can individually customize the scan pattern and operate the scanner in either a hand-held or hands-free fashion. In addition, its rugged, rubber housing provides the necessary protection against daily operational use.

Quantum7, with an industry-leading 1,650 scans/second, provides aggressive first-pass scanning, reducing the time it takes to scan products, increasing customer satisfaction and

employee efficiency. The single-line scan feature, enabled by the push of a button, saves time and reduces unwanted scans on menu-style codes by providing targeted scanning through Metrologic's patented Codegate® technology. Hand-held operation ensures easy scanning of larger, bulkier products that cannot be easily presented to stationary scanners.

Quantum7 can be positioned at the user's convenience; mounted to a wall or countertop, atop one of four optional stands, or free standing for easy hand-held use. Other key features include Metrologic's patented IR activation mode, user-replaceable Powerlink cables and Flash memory. Quantum7 is an integral part of Metrologic's new line of omnidirectional bar code scanners that are "Powered by Metrologic's QuantumE™ Scan Engine."

www.metrologic.com

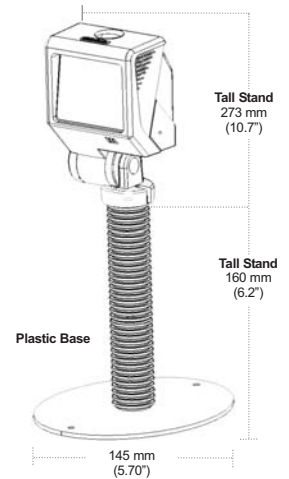
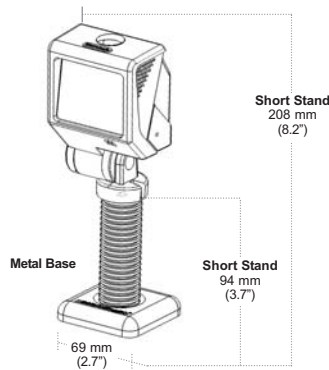
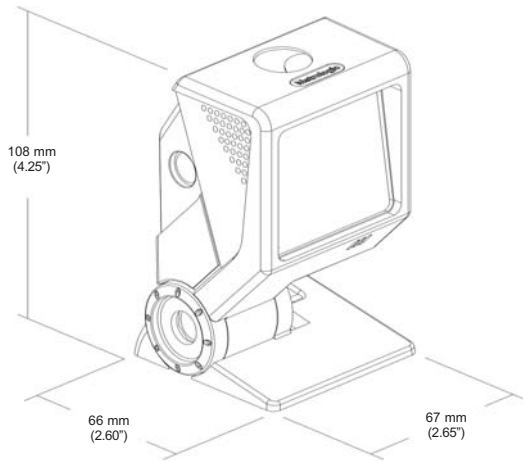


FEATURES

- Omnidirectional/Single-line mode
- Sleep Mode with IR wake-up
- Small footprint
- Optional stands
- OPOS and JPOS system compatible

BENEFITS

- Alternate between 20 scan lines for omnidirectional scanning and a single scan line for menu scanning
- Multiple sleep modes reduce power consumption, extending life and lowering cost of operation
- Keeps valuable counter space clear
- Customize the height of the scanner for unique applications
- Quantum7 is compatible with systems running the popular industry standards



Available in metal or plastic base

OPERATIONAL

Light Source	Visible Laser Diode 650 nm
Laser Power	1.1 mW (peak)
Decode Capability	Autodiscriminates all standard 1D bar codes, including RSS Expanded, RSS-14 and RSS-14 Limited; for other symbologies call Metrologic
System Interfaces	RS232, Light Pen Emulation, Keyboard Wedge, Stand Alone Keyboard, IBM 468x/469x, USB, Laser Emulation, OCIA
Number Characters Read	Up to 80 data characters
Beeper Operation	7 tones or no beep
Indicators	Blue = laser on, ready to scan White = good read

MECHANICAL

Length	66 mm (2.60")
Width	67 mm (2.65")
Height	108 mm (4.25")
Weight	170 g (6 oz)
Termination	10 position modular RJ45 connector
Cable	Standard 2.1 m (7') straight; optional 2.7 m (9') coiled for other cables call Metrologic

ELECTRICAL

Input Voltage	5 VDC ± 0.25 V
Power	1.375 W
Operating Current	275 mA typical @ 5 VDC
DC Transformers	Class 2; 5.2 VDC @ 650 mA
Laser Class	Class 1; IEC60825-1:1993/A1:1997 + A2:2001 Class 1; EN60825-1:1994/A11:1996 + A2:2001
EMC	FCC Class B

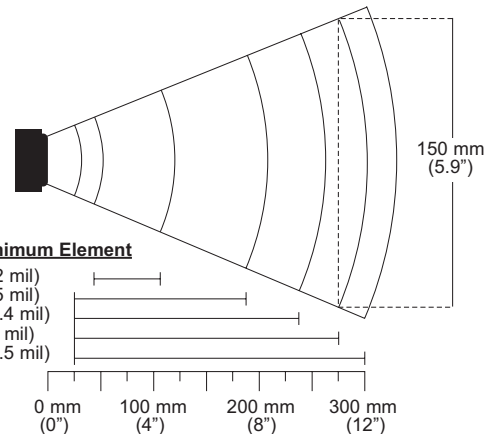
ENVIRONMENTAL

Operating	-20°C to 40°C (-4°F to 104°F)
Storage Temperature	-40°C to 60°C (-40°F to 140°F)
Humidity	5% to 95% relative humidity, non-condensing
Light Levels	Up to 4842 Lux (450 footcandles)
Contaminants	Sealed to resist airborne particulate contaminants
Ventilation	None required

SCAN PERFORMANCE

Depth of Scan Field (programmable)	25 mm - 280 mm (1" - 11") for 0.33 mm (13 mil) bar code at default setting
Width of Scan Field	30 mm (1.2") @ 25 mm (1"); 150 mm (5.9") @ 280 mm (11")
Scan Speed	Omnidirectional - 1650 scan lines per second Raster - 320 scan lines per second Single-line - 80 scan lines per second
Scan Pattern (programmable primary and secondary scan modes)	Omnidirectional - 5 fields of 4 parallel lines Raster - 4 lines Single-line - 1 line
Minimum Bar Width	0.127 mm (5 mil)
Print Contrast	35% minimum reflectance difference
Roll, Pitch, Yaw	360°, 60°, 60°

Scan Area



Product Colors Available



MS3580 is available in a variety of other colors with minimum quantity purchase



Sunrise 2005 Compliant



We really work for you.™

www.metrologic.com

ISO 9001:2000

Metrologic Instruments, Inc. | Worldwide Headquarters

90 Coles Road | Blackwood, NJ 08012-4683 | info@metrologic.com

Telephone 856-228-8100 | Fax 856-228-6673

Asian Headquarters
Tel. 65.6842.7155
info@sg.metrologic.com

European Headquarters
Tel. 49.89.89019.0
info@eu.metrologic.com

The Americas Headquarters
Tel. 1.800.ID.METRO
info@us.metrologic.com

Specifications subject to change without notice.
Printed U.S.A., Copyright January 2007
Metrologic, All rights reserved.



DS3580